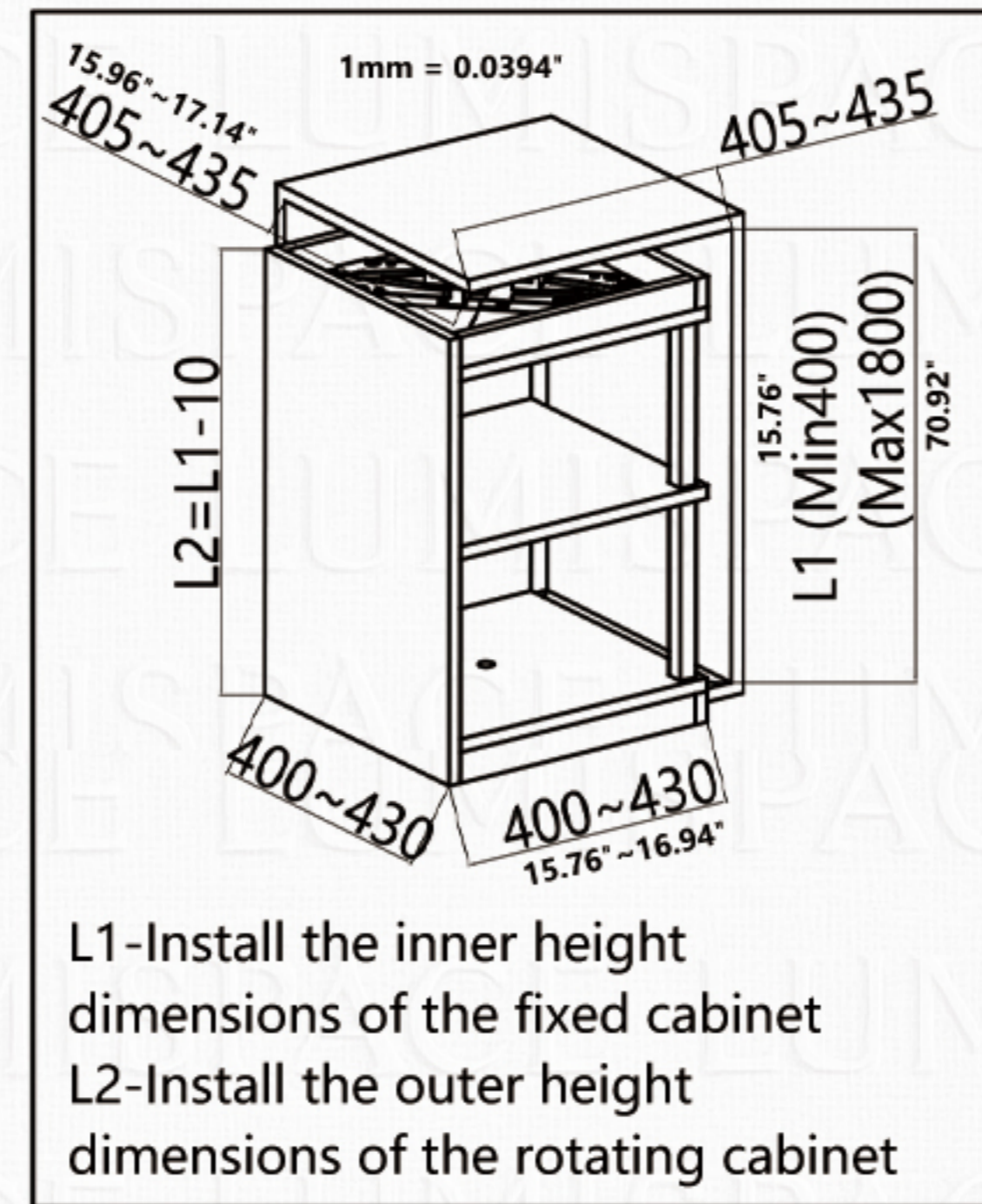
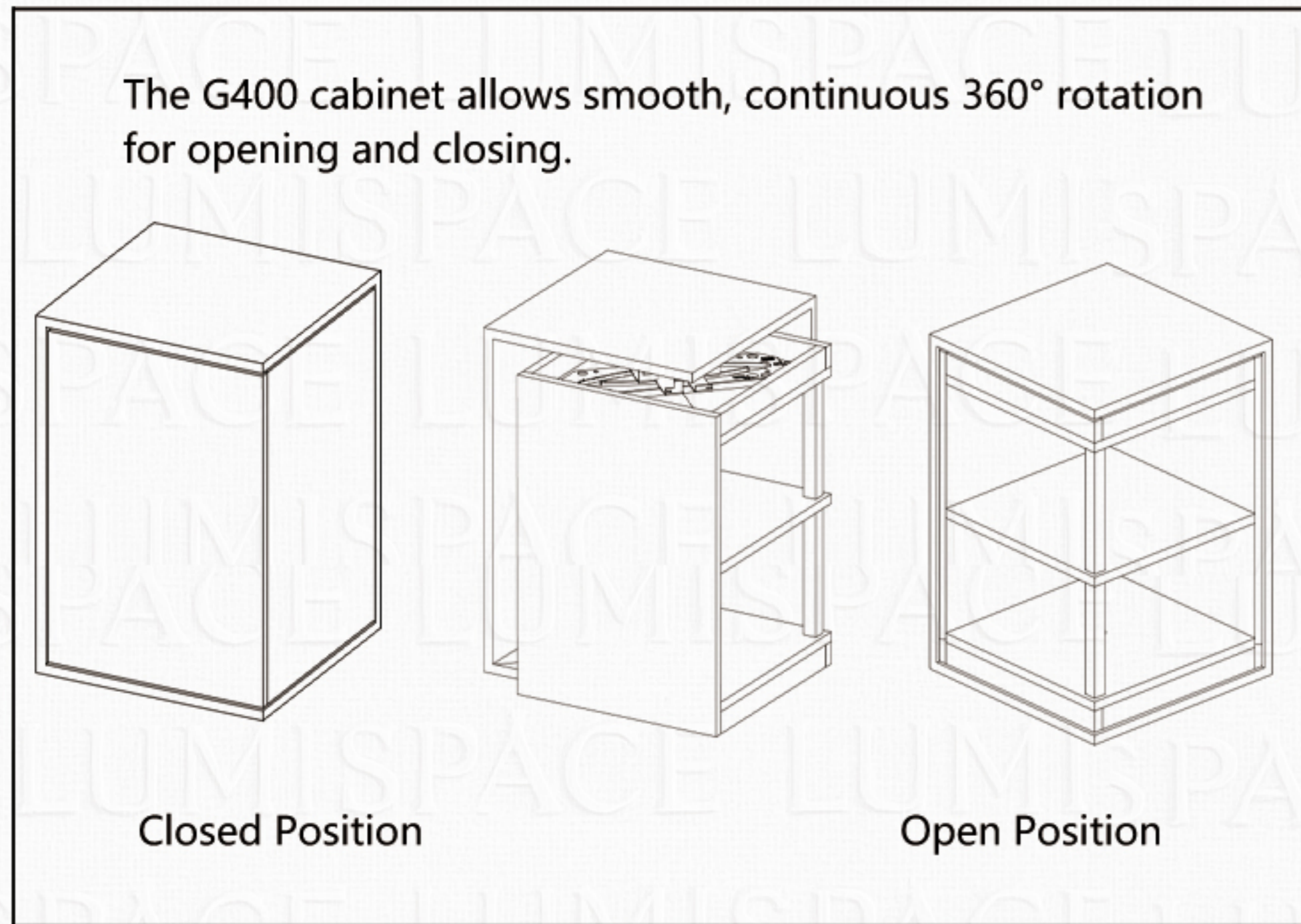


G400 Rotating--Installation Guide



Unit:mm



Product Overview

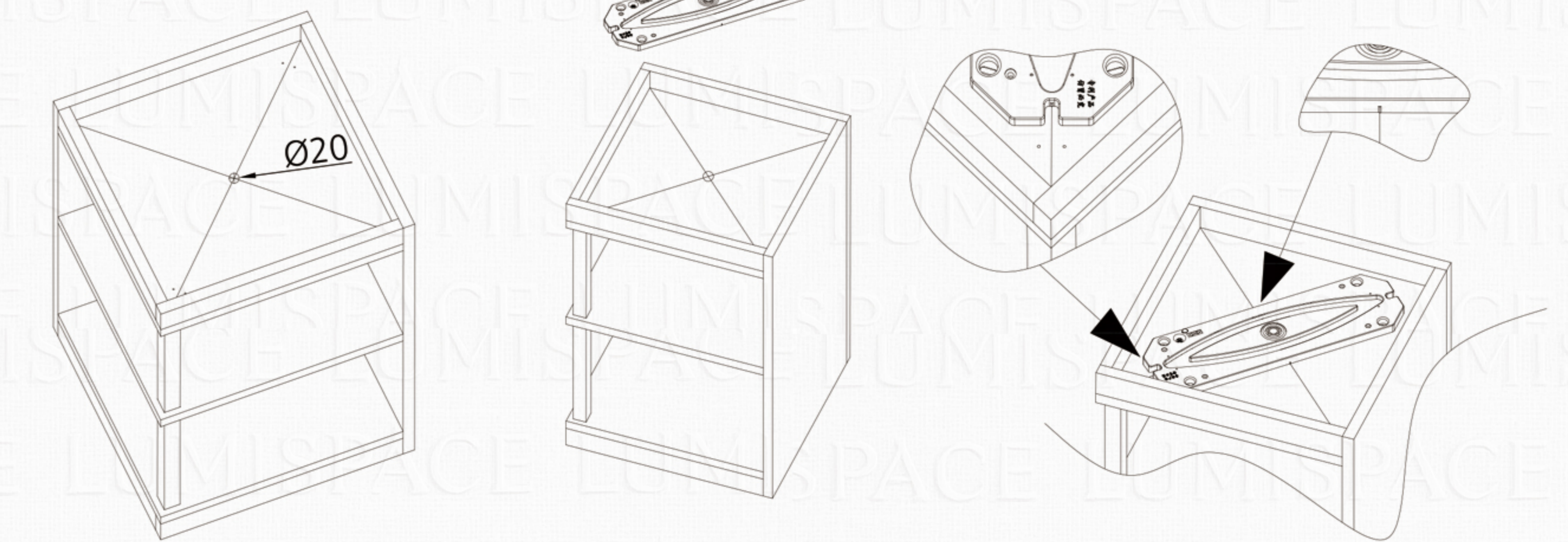
Suitable for cabinet internal dimensions:
400×400 mm to 430×430 mm (15.76"×15.76" to 16.94"×16.94")

Package Contents

No	Name	Quantity	Name	Hardware accessories
1	Fixed cabinet	/	Material	Metal+ Plastic
2	Rotating cabinet	/	Size	400
3	Rotary guide	2PCS	Quantity	2 SET
4	Ajuster	4PCS	Package	2SET/ctn
5	M4×16	44PCS	Key Features <ul style="list-style-type: none"> •Concealed design — keeps the cabinet hidden when closed •Maximizes space utilization •Precise positioning and smooth 360° rotation •Quick installation and easy disassembly •Maximum installation height: 1800 mm (G400) •Load capacity: up to 80 kg 	
6	M4×20	8PCS		
7	Sliding assembly	2PCS		

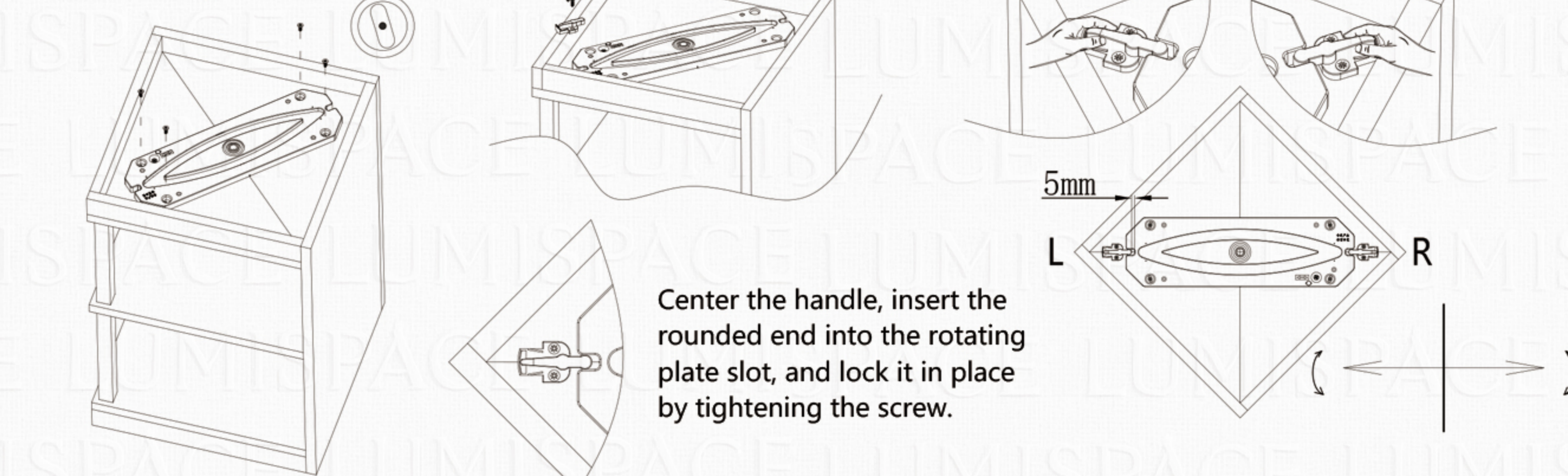
Drill a 20 mm through-hole at the center of the mounting surface.

Align the arrows on the front and side of the unit with the reference cross lines, as shown.



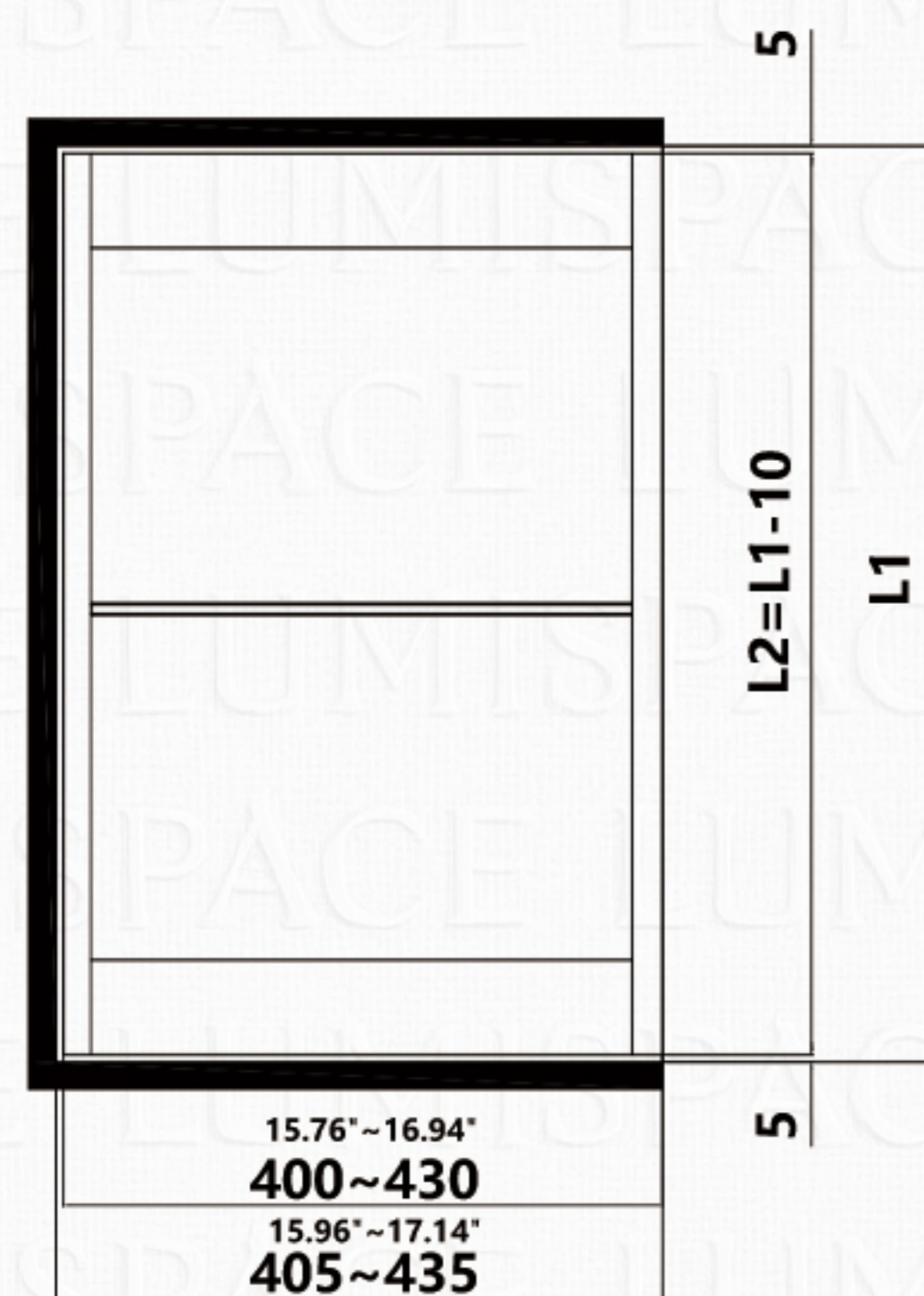
1. Mark the center point on the mounting surface using diagonal reference lines. → 2. Position the rotary guide on the marked center; align the arrows with the reference lines.

Position the screw hole at the center of the guide slot.

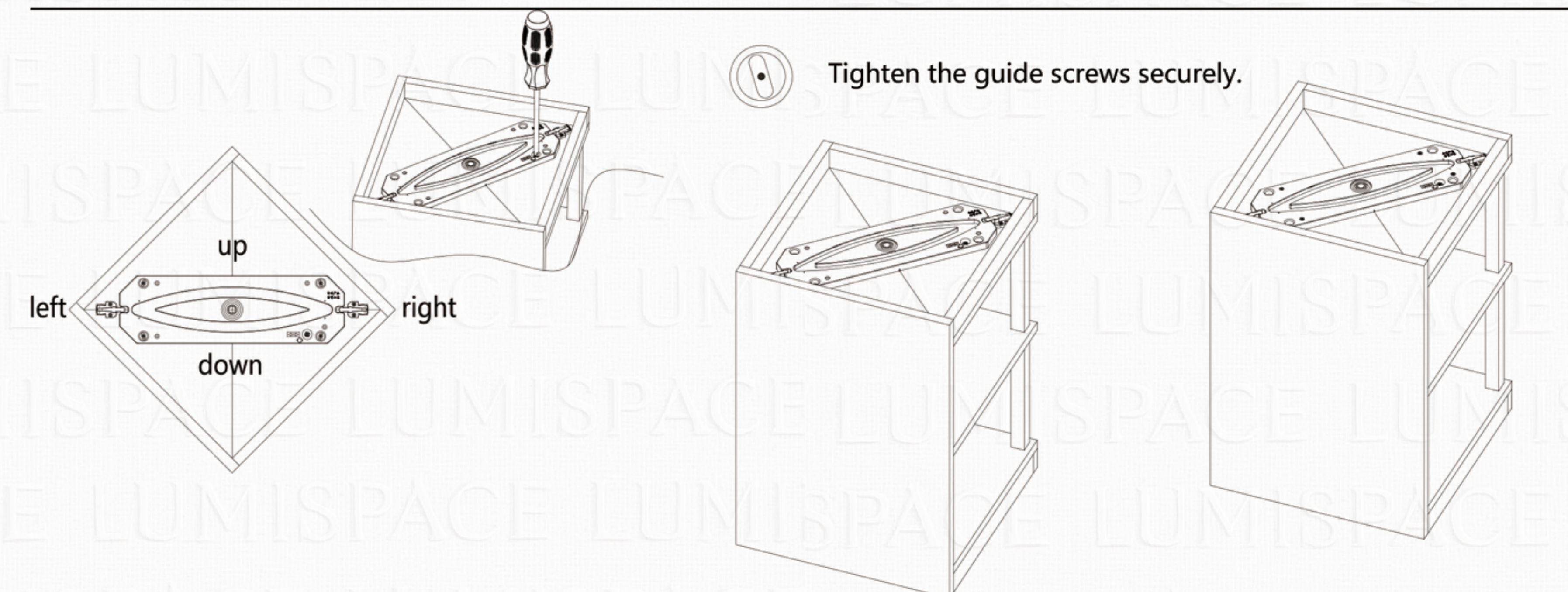
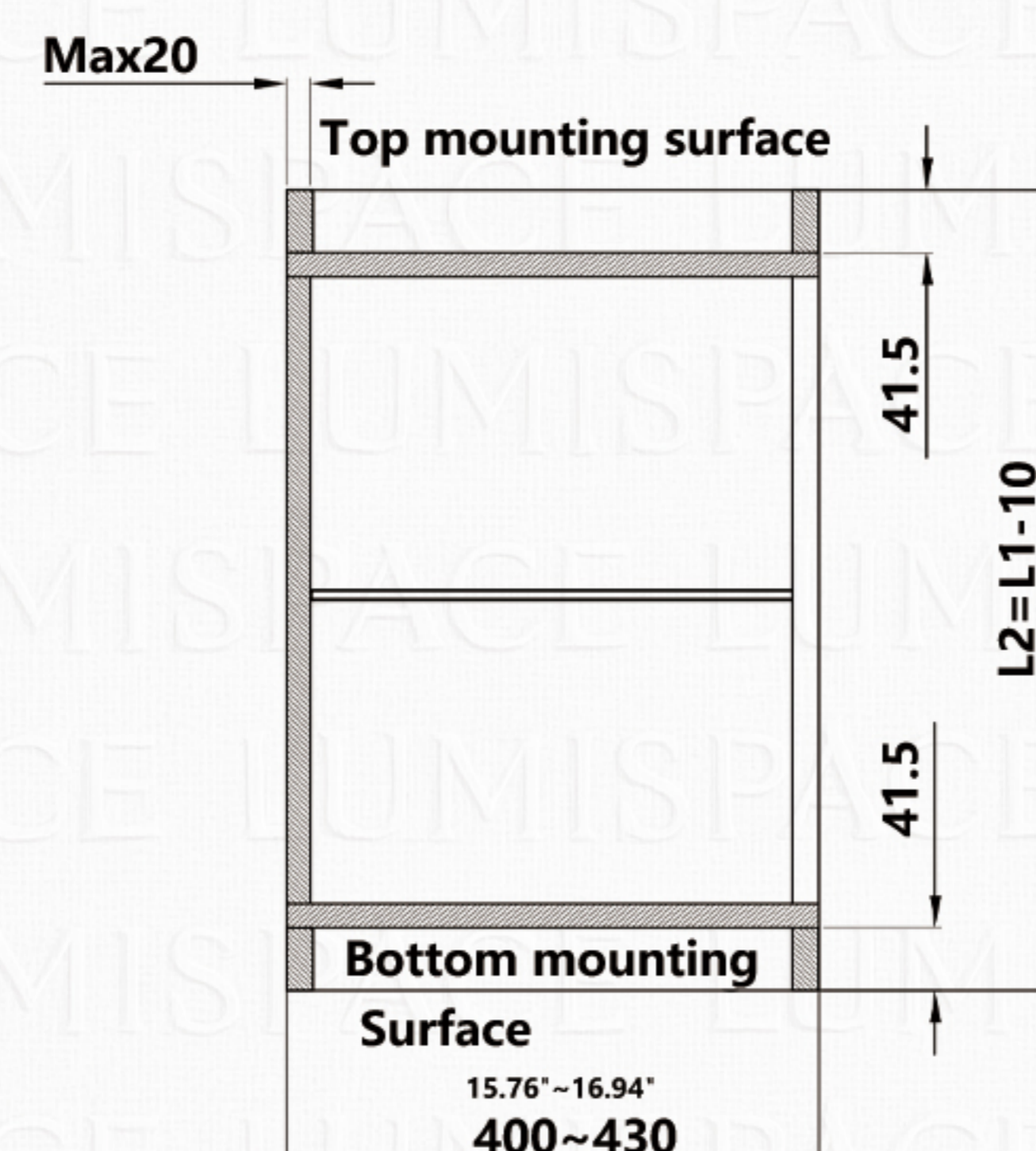


3. Insert the four guide screws loosely. Do not tighten at this stage. → 4. Install the left and right regulators. Insert the alignment handle into the guide slot and lock it in place. → 5. Ensure the arrows on both regulators remain centered. Adjust if necessary.

Rotating Cabinet Dimensions

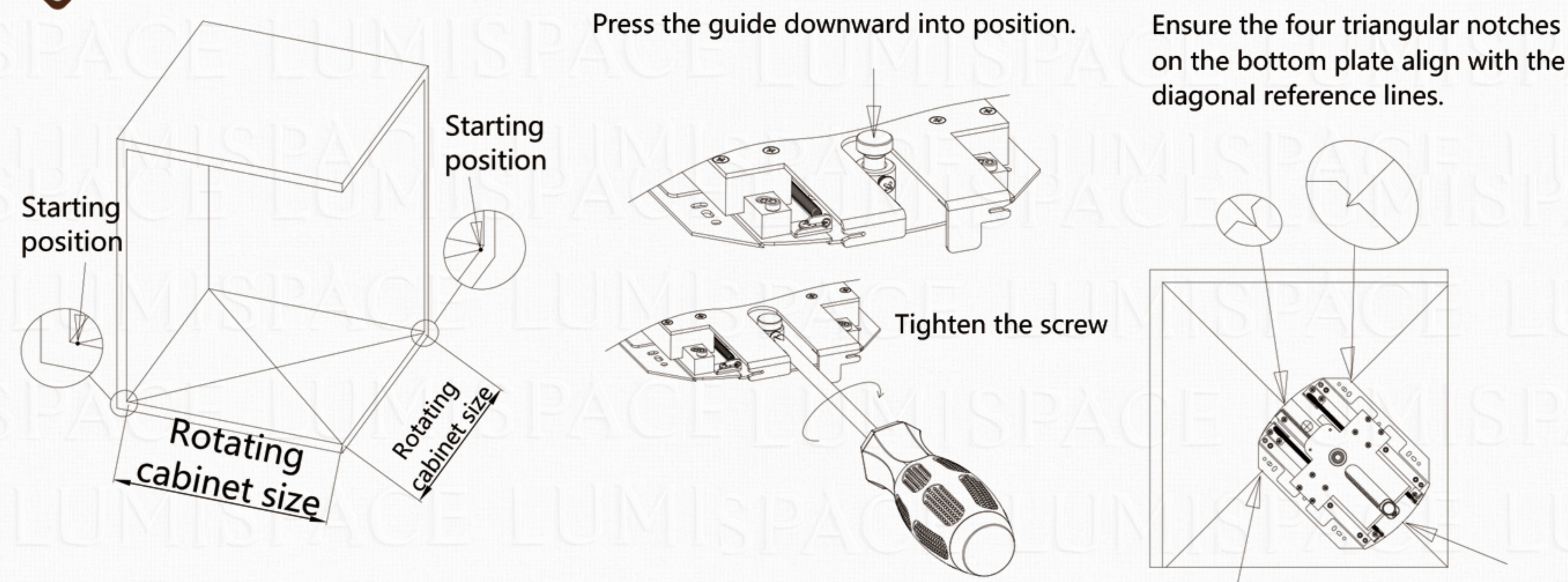


Installation Dimensions



6. Use the horizontal adjustment screws to fine-tune the guide plate until fully centered. → 7. Tighten all guide screws firmly once alignment is correct. → 8. Repeat steps 1-7 to install the bottom rotary guide.

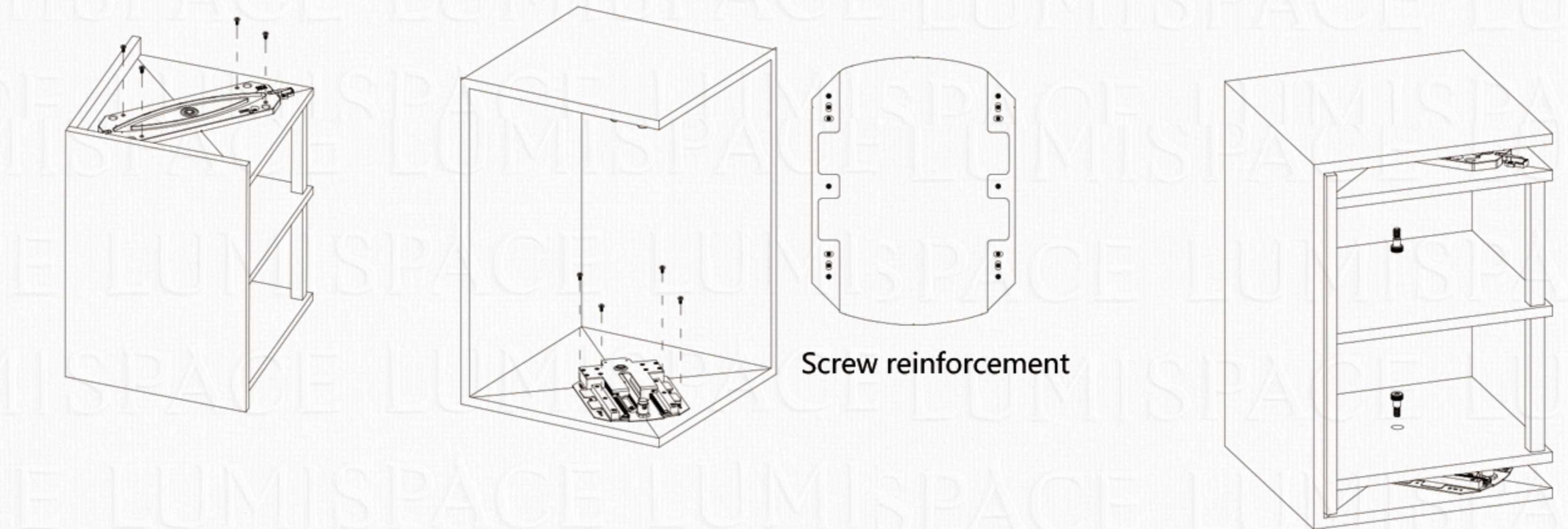
G400 Rotating--Installation Guide



9. Mark the center lines on the top and bottom surfaces of the outer cabinet.

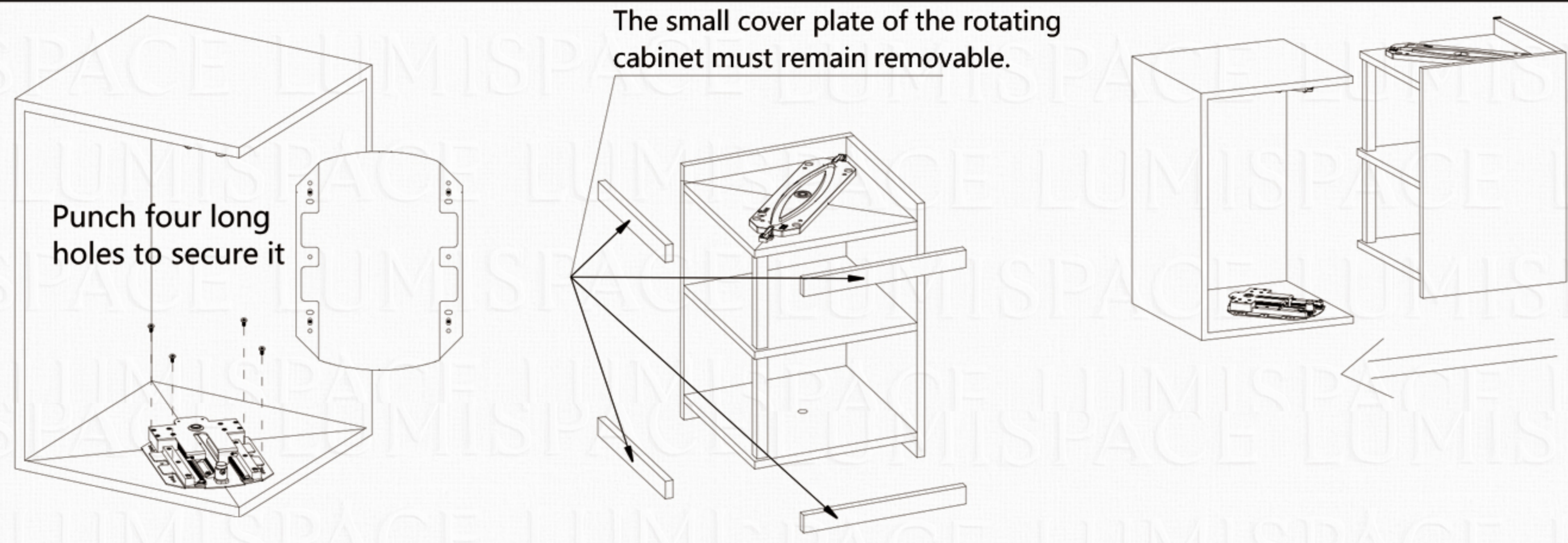
10. Insert the sliding assembly into the pre-marked position and push until the guide wheel clicks into place.

11. Ensure the triangular notches sit correctly along the diagonal alignment.



17. If rotation is not smooth, remove the inner cabinet and re-check guide alignment. Tighten all fasteners.

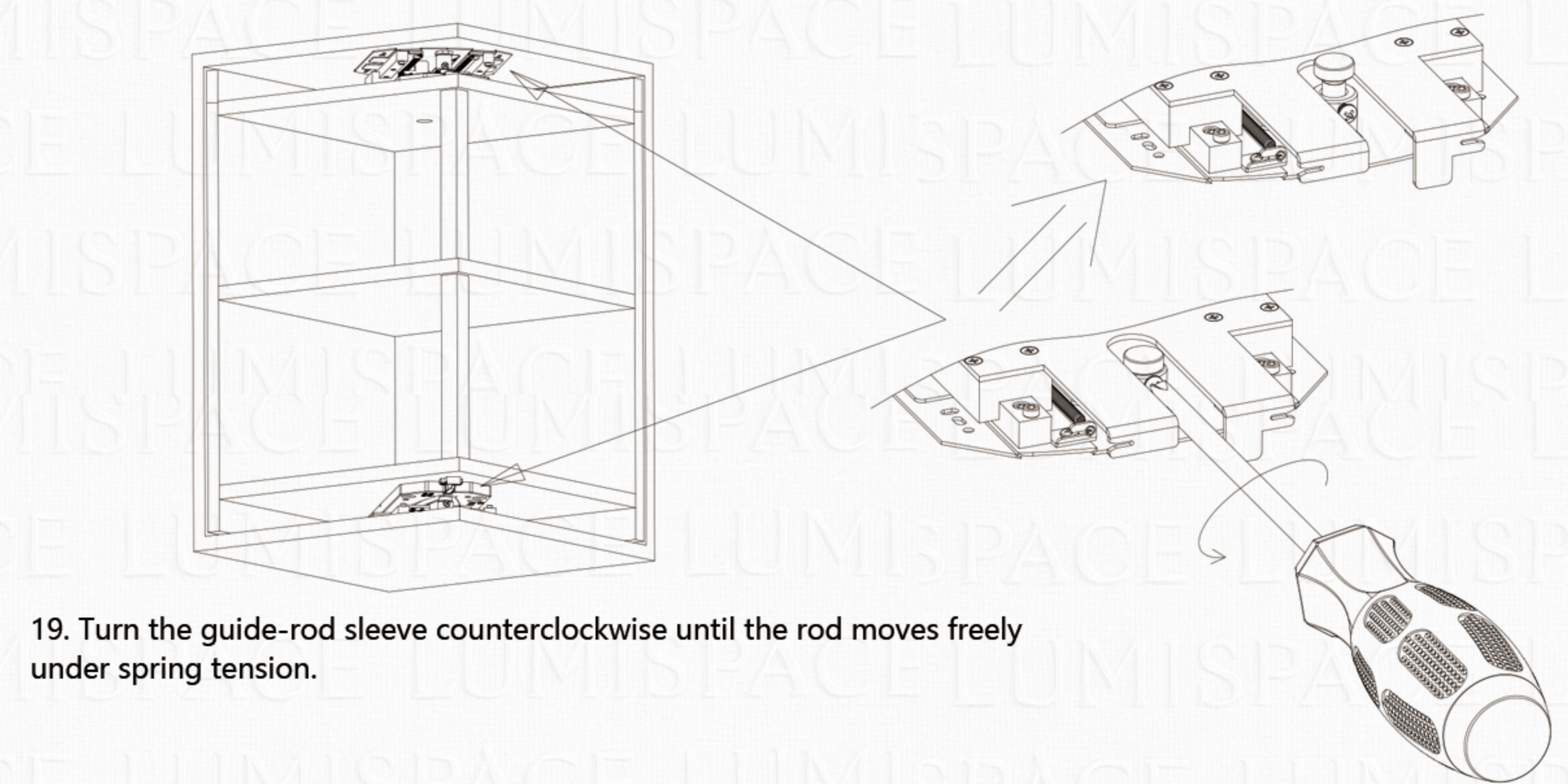
18. Reinstall the inner cabinet and confirm correct positioning.



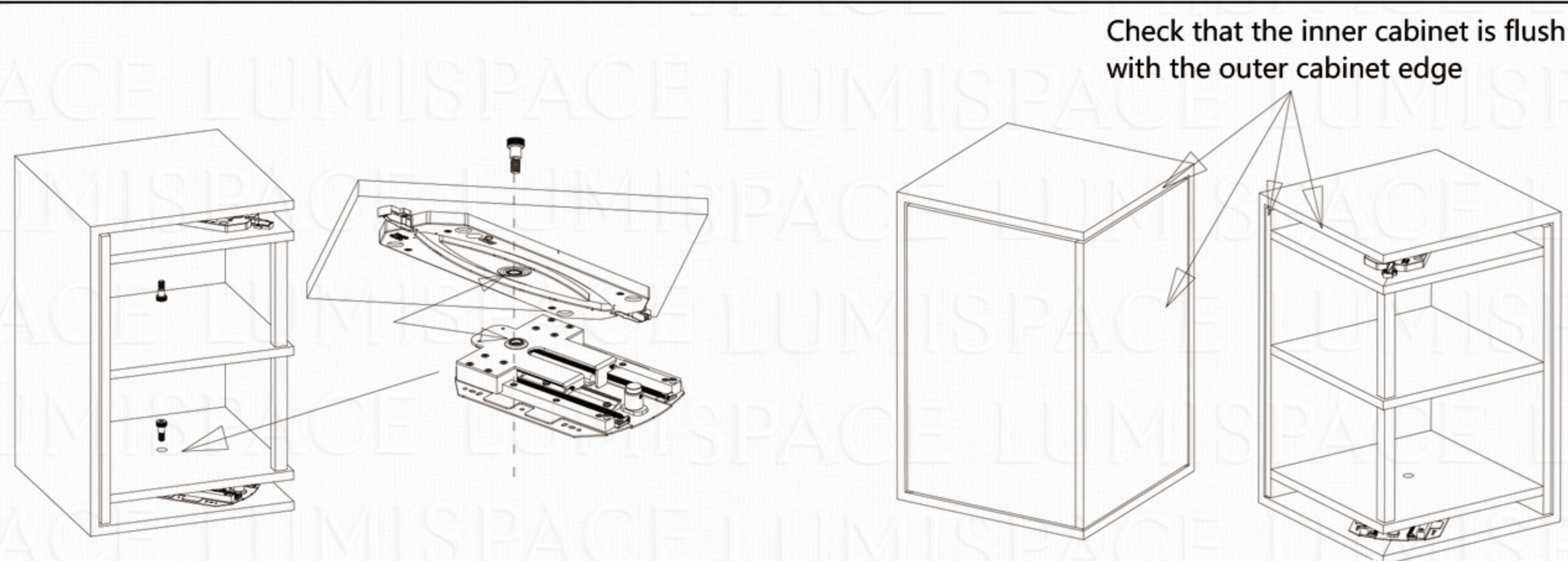
12. Secure the sliding assembly using four self-tapping screws.

13. Remove the temporary sealing plates from the rotating inner cabinet.

14. Slide the inner cabinet into the outer cabinet, then rotate 90° to engage the locking structure.

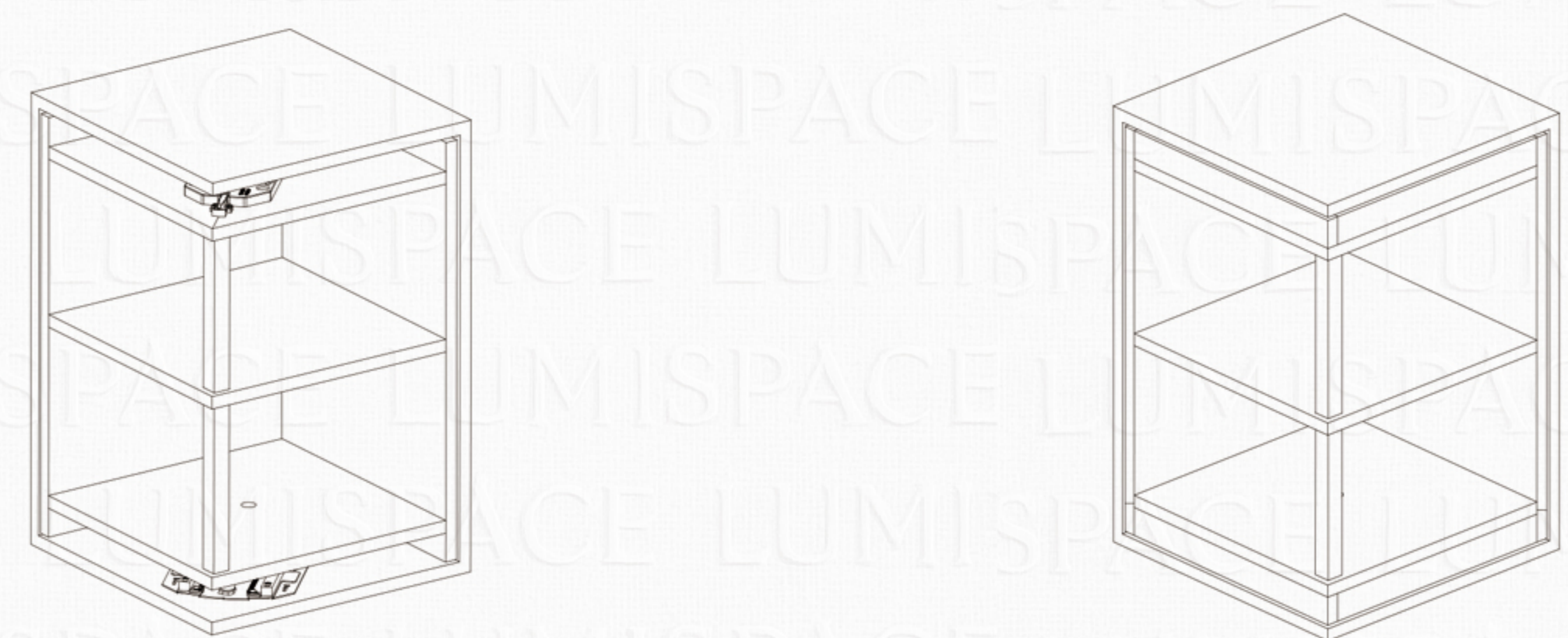


19. Turn the guide-rod sleeve counterclockwise until the rod moves freely under spring tension.



15. Ensure the inner cabinet is seated flush and level with the outer frame.

16. Rotate the cabinet fully to check for smooth operation without resistance.



20. When a "click" is heard, the guide wheel has engaged the guide track. Tighten screws to secure.

21. Reinstall all sealing plates to complete the installation.